

Steel Armored HDMI A Slim Cable

Stainless Steel Armoring

Metal Connector Housings

Very thin, flexible Cable

HDMI High Speed with Ethernet

High Image Resolution up to 4K@60Hz



The HDMI cable is assembled with a very thin, flexible cable with stainless steel armoring and two very small, slim connectors which are covered with a high-quality metal housing; a combination that takes up little space and is easy to handle.

Despite its compact dimensions, the cable supports all advanced HDMI standards with best performance, even at high image resolutions.

The low outer diameter and cable design make the cable very flexible and allow a much smaller bend radius than a standard HDMI cable. The smooth surface of the steel jacket reduces the formation of "cable clutter". In addition, the cable is protected against damage by rodent bites.

Specification

Connectors: 2x HDMI Type A, 19P19C, molded gold-plated contact surface metal housing (aluminium alloy)

Cable: jacket PVC+stainless steel
outer diameter: 4.0 mm
inner conductors copper triple-shielded, AWG36
colour: dark grey ●

Length: 1.8 m

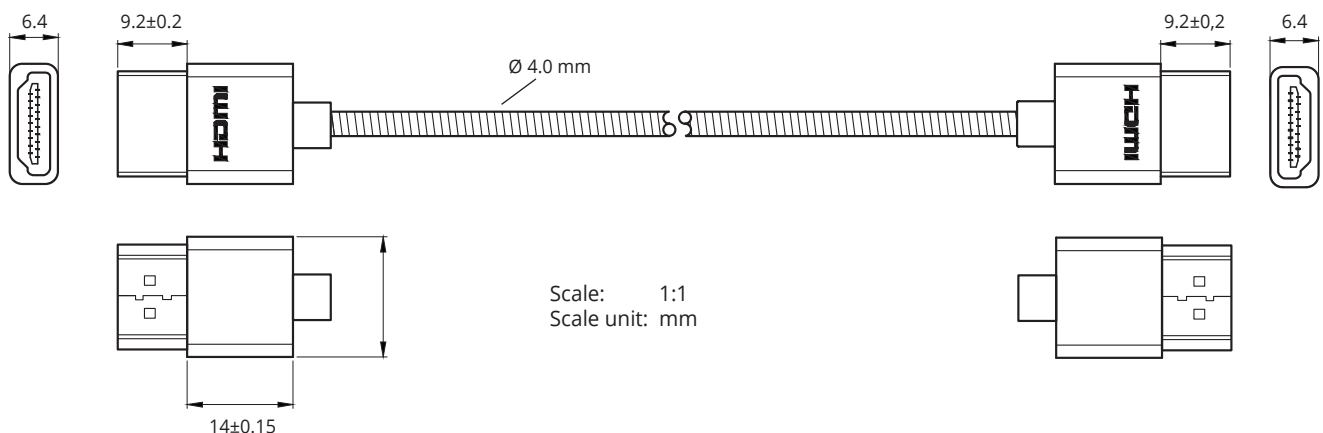
Supported formats / Transmission Properties

Data rate: up to 18 Gbps

Image transmission: up to 4K2K (60Hz), 4K2K (30Hz), 1080p (3D) HDR10, HLG, HDCP2.2, HDCP1.4, 3D

Colour sampling: 4:4:4, 4:2:2 and 4:2:0

HDMI standard: 2.0 High Speed with Ethernet



Item Number: HDMI-MMSA-1,8M

